

Wiring diagramm see sheet 2

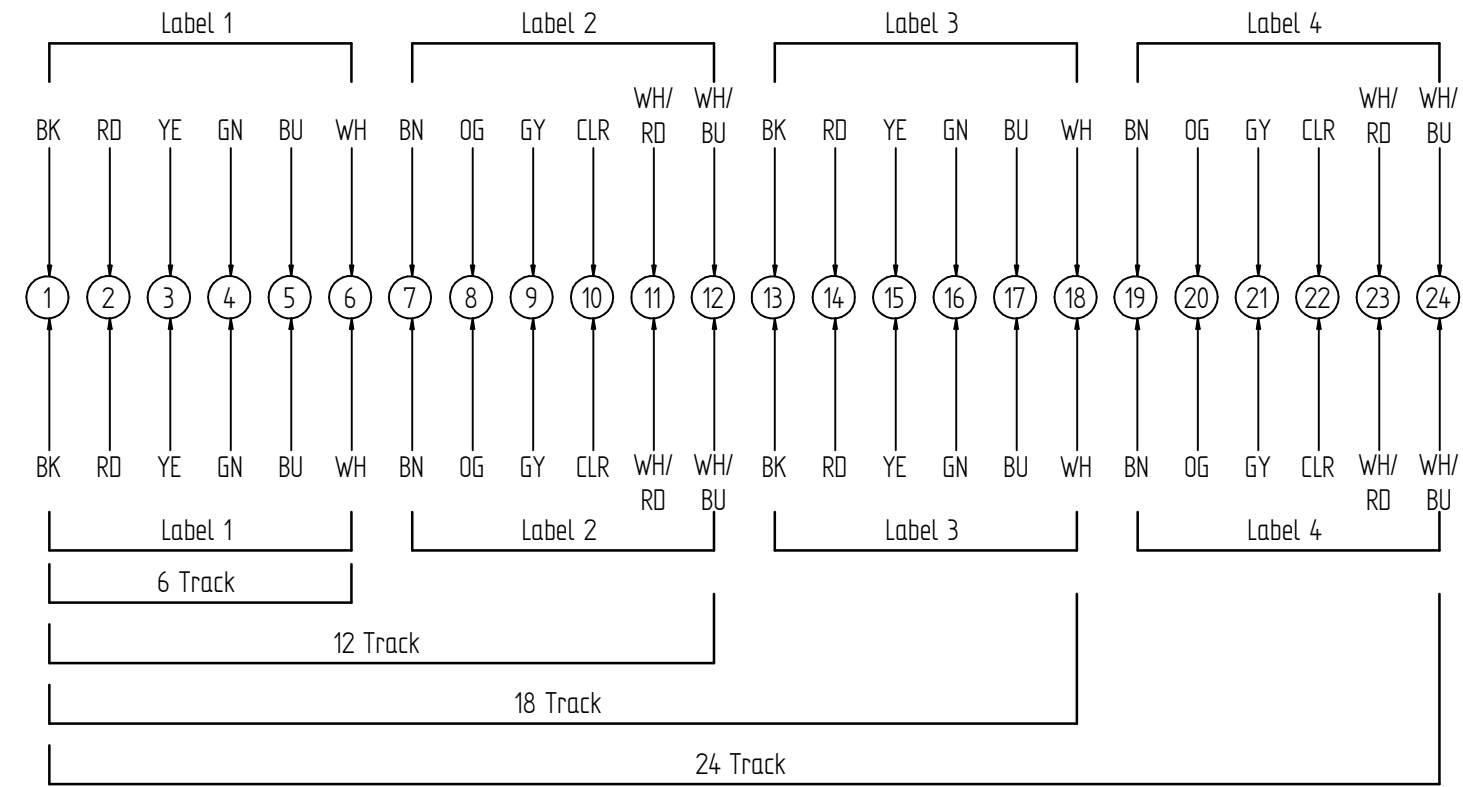
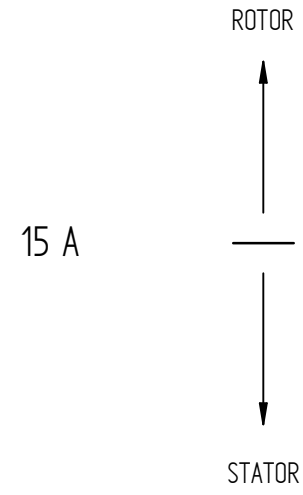
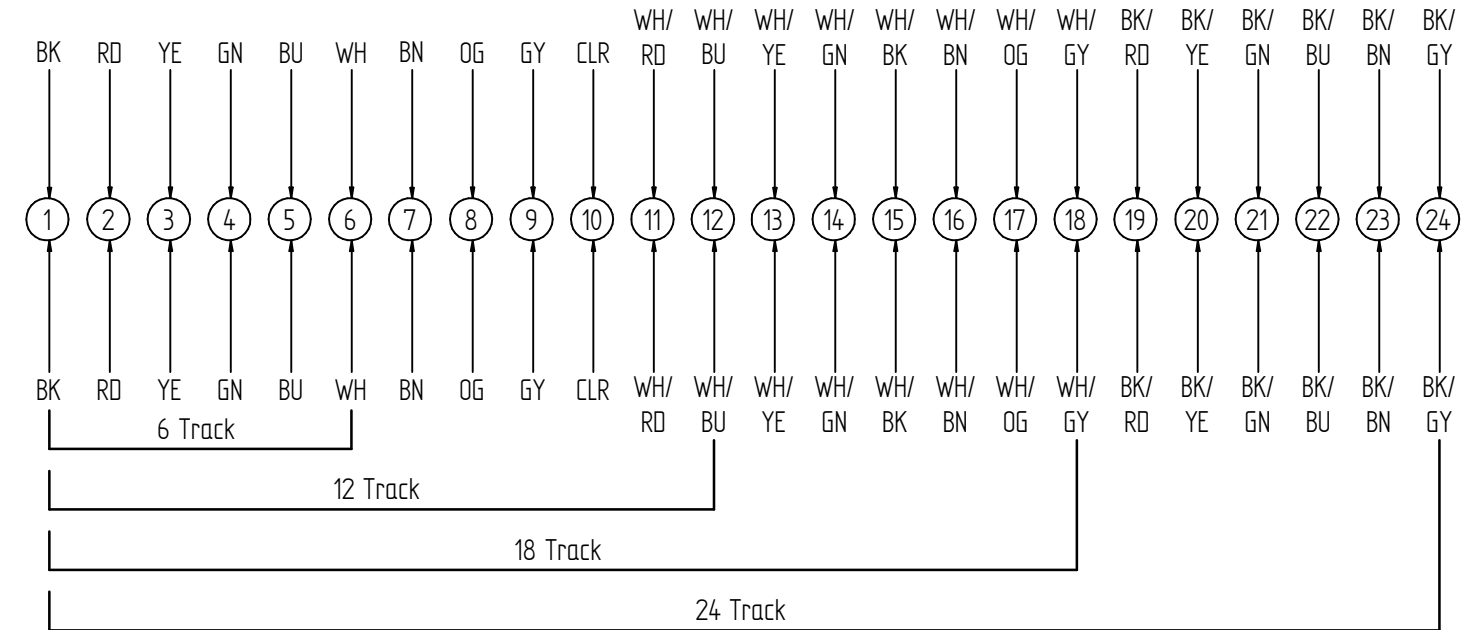
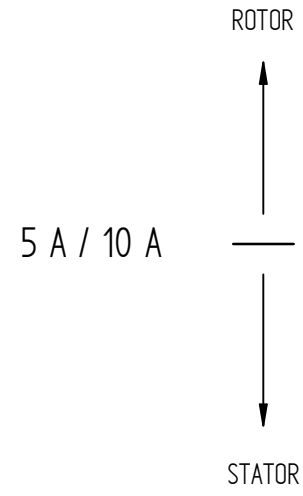
Die Montageanleitung 7BC000000 wird elektronisch bereitgestellt.
The assembly instruction 7BC000000 is provided in electronic format.

ELECTRONIC & ELECTRIC		MECHANICAL	
Rating Voltage	250 V AC / DC	Working Speed	300 rpm max.
		Inner Diameter	$\phi 38,1$
		Contact Material	Precious Metals
Current	5 A / Signal	Lead Wire Length	STATOR: 250 mm ROTOR: 250 mm
Track	18	/	/
Insulation Resistance	500 M Ω @ 500 V DC	/	/
ENVIRONMENT		REMARKS	
Working Temperature	-20 °C to +60 °C	Application	see Manual
Working Humidity	≤ 60 % RH	Other	/
Protection Class	IP50	Note:	/

10	1	70C000015	Maverick Schleifring 18-Weg 5A		
Pos.	Anz.	Mat.Nr.	Kurztext	GroÙe/Abmessung	Werkstoff
1	2	3	4	5	6
DIN ISO 5456-2	TOLERANCES	DIN ISO 13715	FINISH	SCALE	REFERENCE 2
	ISO 2768 - mH	+0,3 +0,1	-0,1 -0,3	1:1	WEIGHT 0,001 kg
STANDARDS ISO 8015 ISO 14405	DWG NO	REVISION	FIRST RELEASE	20.12.2021	REFERENCE 1
	77C000015	A1	DESIGNER	CREITER	16.11.2022
			APPROVED	AGREPPMAYR	21.11.2022
	DESCRIPTION	CHANGE NO	200120151		
	Maverick Slip Ring 18-Track 5A	DOCUMENT TYPE	Kundenzeichnung		SHEET 1/2
	SIZE/DIM				
	Drafft: 1000954555/002/000/03	Modell: 1000954555/000/000/03			A2

All drawings are the property of Schleifring GmbH/ Germany and are to be treated as confidential. The reproduction, distribution and utilization as well as the communication of its contents to others without express authorization is prohibited. Offenders will be held liable for the payment of damages. All rights reserved in the event of the grant of a patent, utility model or design.

Cable Table	
Current	Cable
5 A / Signal	AWG17
10 A	
15 A	AWG14



DIN ISO 5456-2 	TOLERANCES ISO 2768 - mH	DIN ISO 13715 	FINISH MATERIAL	SCALE 1:1	REFERENCE 2
STANDARDS ISO 8015 ISO 14405		DWG NO 7KLC000015	REVISION A1	WEIGHT 0,001 kg	REFERENCE 1
		Beschreibung Maverick Schleifring 18-Weg 5A DESCRIPTION Maverick Slip Ring 18-Track 5A		CHANGE NO 200120151	FIRST RELEASE 20.12.2021
		SIZE/DIM.		DOCUMENT TYPE Kundenzeichnung	SHEET 2/2