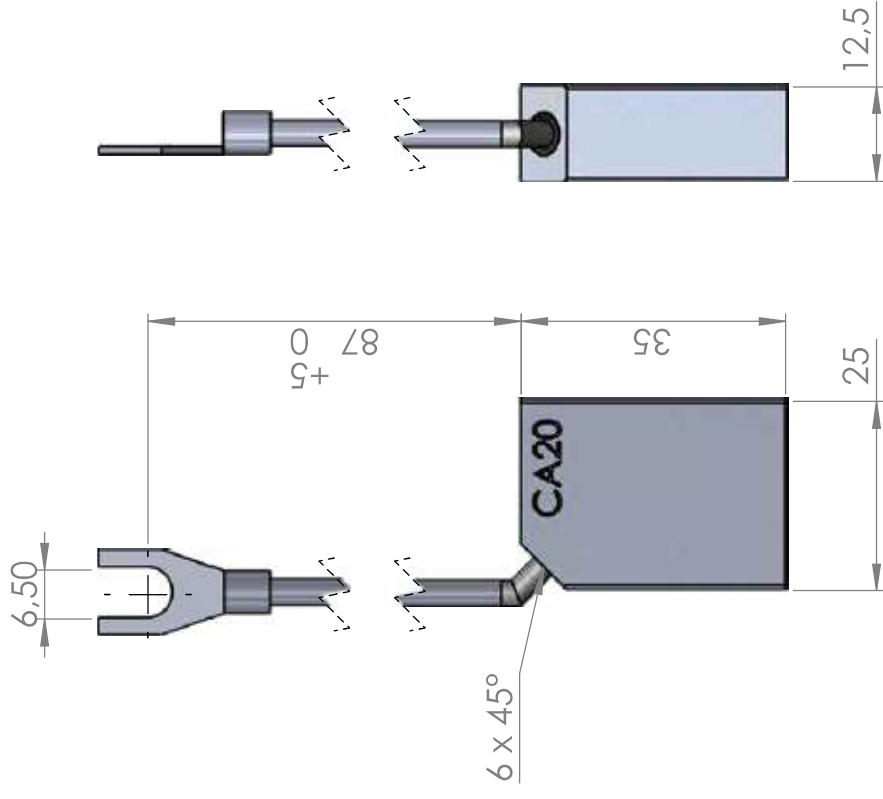
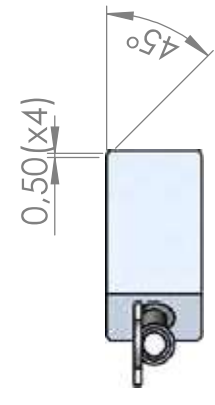
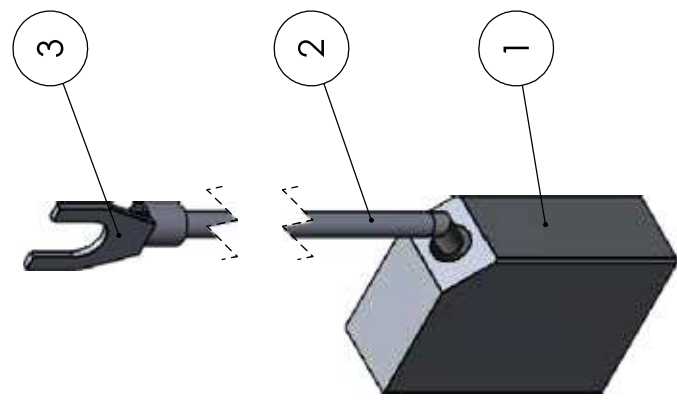
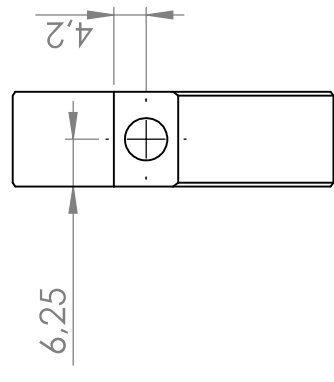


ITEM NO.	Description	Art nr	QTY.
1	Brush 25 x 12,5 x 35 mm		1
2	SP Braid 6 mm <sup>2</sup> x 87 mm	CAC05	1
3	Terminal SRO 6	CCA12	1



Brush view 45 °



Drawn By	Last Changed Date	Surface Treatment	General tolerance	CAD-System
Approved By	2020-05-04	General Surface Rough.	CA20E	
		Material	Drawing Size A4	
		2016-02-01	Scale 1:1	
			Title	
			Silver grounding brush	
			Sheet 1 (1)	
			Drawing No 1879-CV	