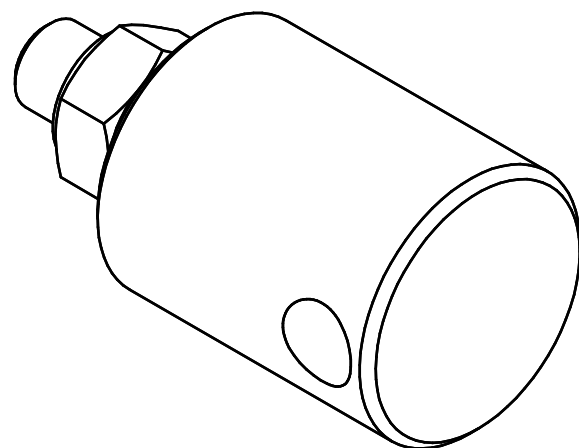


Betriebsdaten			
Medium	Luft	Vakuum	Hydraulik
Max. Druck	10 bar	7 kPa	70 bar
Max. Drehzahl	3500 min <sup>-1</sup>	3500 min <sup>-1</sup>	3500 min <sup>-1</sup>
Max. Temperatur	120 °C	120 °C	120 °C
Max. Durchfluss	1133 Nl/min	- Nl/min	15 L/min
Trockenlauf	nein	nein	nein

t1 A B C REFER TABLE t1 ACCORDING DIN 2769 - C LINEAR SIZE: ±t2(E) REFER TABLE t2 ACCORDING DIN 2769 - b ANGULAR SIZE: ±t3° REFER TABLE t3 ACCORDING DIN 2769 - 1		SURFACE DIN EN ISO 1302 Ra 3,2 (✓)			
DIN ISO 5456-2	GENERAL TOLERANCES	DIN ISO 13715	FINISH	SCALE	REFERENCE 2
		+0,3  +0,1	-0,1  -0,3	1:1	
STANDARDS		DWG NO	REVISION	WEIGHT	REFERENCE 1
		368000110	A-	0,432 kg	
		Beschreibung 1-Weg Drehdurchfuehrung		FIRST RELEASE	
		DESCRIPTION 1-Channel Rotary Joint		01.04.2003	
		SIZE/DIML 1/4"NPT - G1/4"		DESIGNER LBAUER	
				APPROVED CREITER	
				CHANGE NO	
				500000000001	
				DOCUMENT TYPE	
				SHEET	
				1/1	



All drawings are the property of Schleifring GmbH/ Germany and are to be treated as confidential. The reproduction, distribution and utilization as well as the communication of its contents to others without express authorization is prohibited. Offenders will be held liable for the payment of damages. All rights reserved in the event of the grant of a patent, utility model or design.