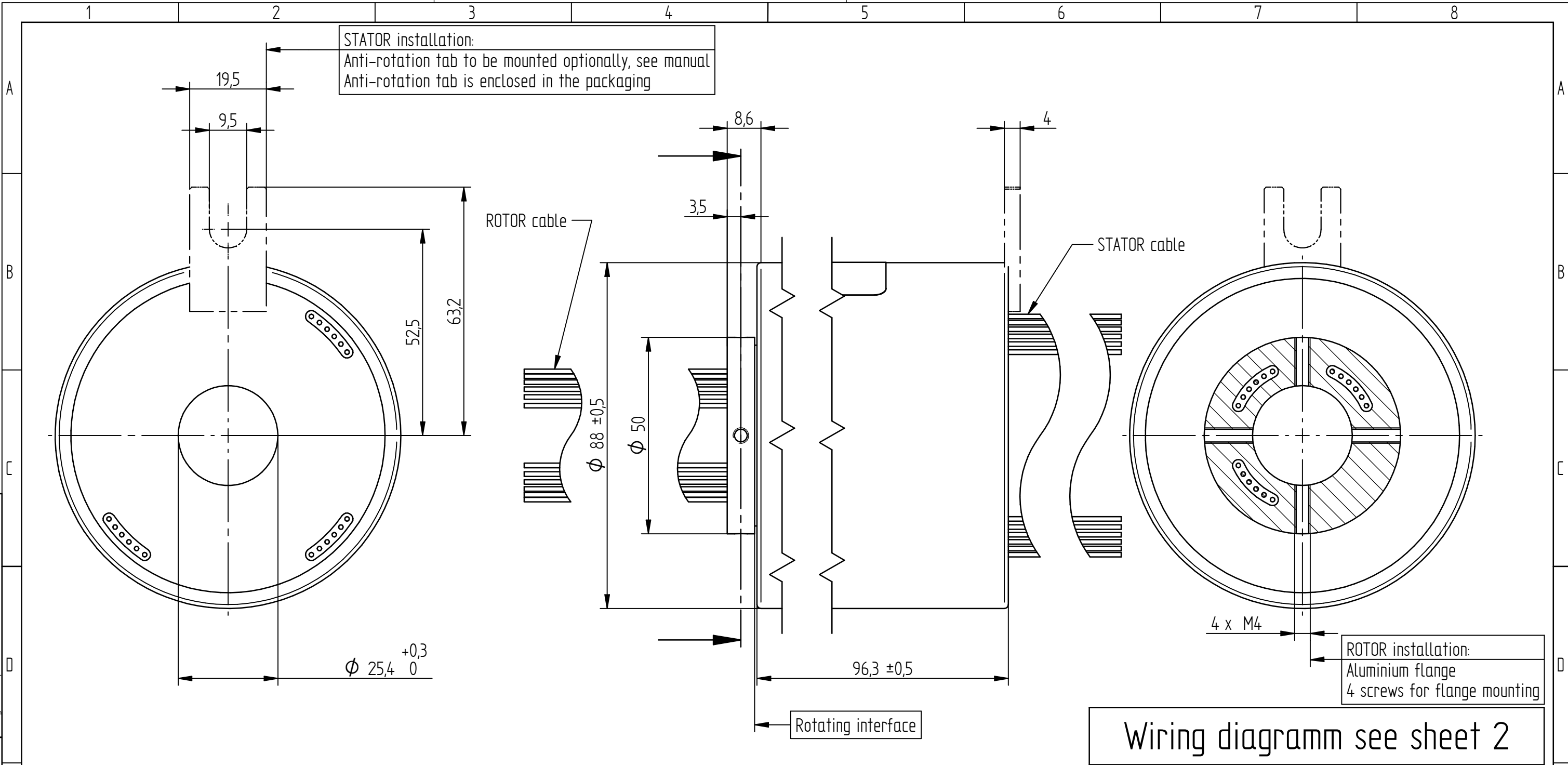


All drawings are the property of Schleifring GmbH/ Germany and are to be treated as confidential. The reproduction, distribution and utilization as well as the communication of its contents to others without express authorization is prohibited. Offenders will be held liable for the payment of damages. All rights reserved in the event of the grant of a patent, utility model or design.



Wiring diagramm see sheet 2

Die Montageanleitung 7BC000000 wird elektronisch bereitgestellt.  
 The assembly instruction 7BC000000 is provided in electronic format.

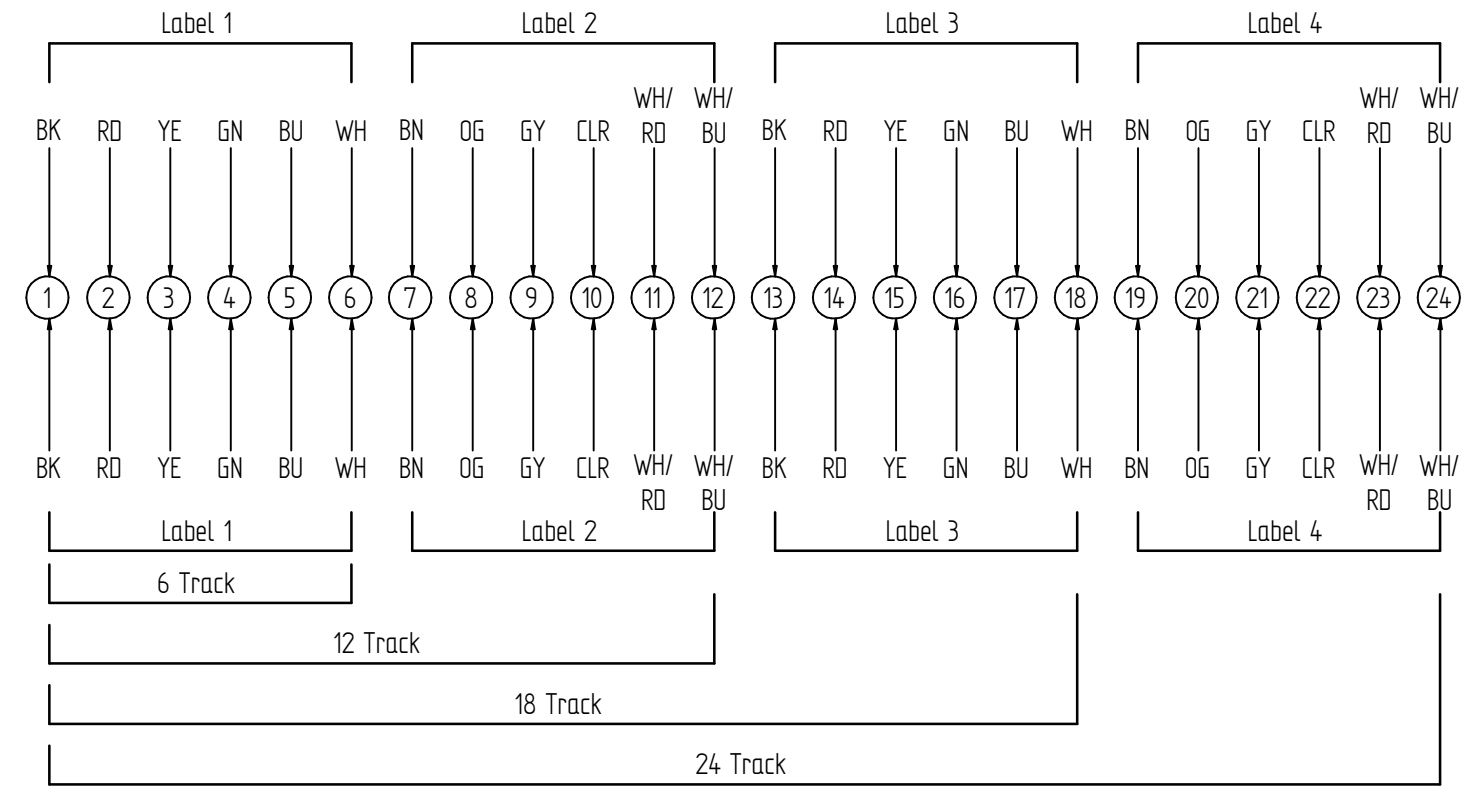
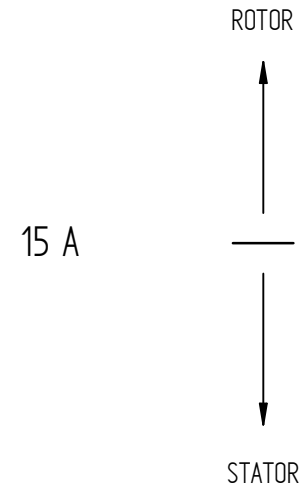
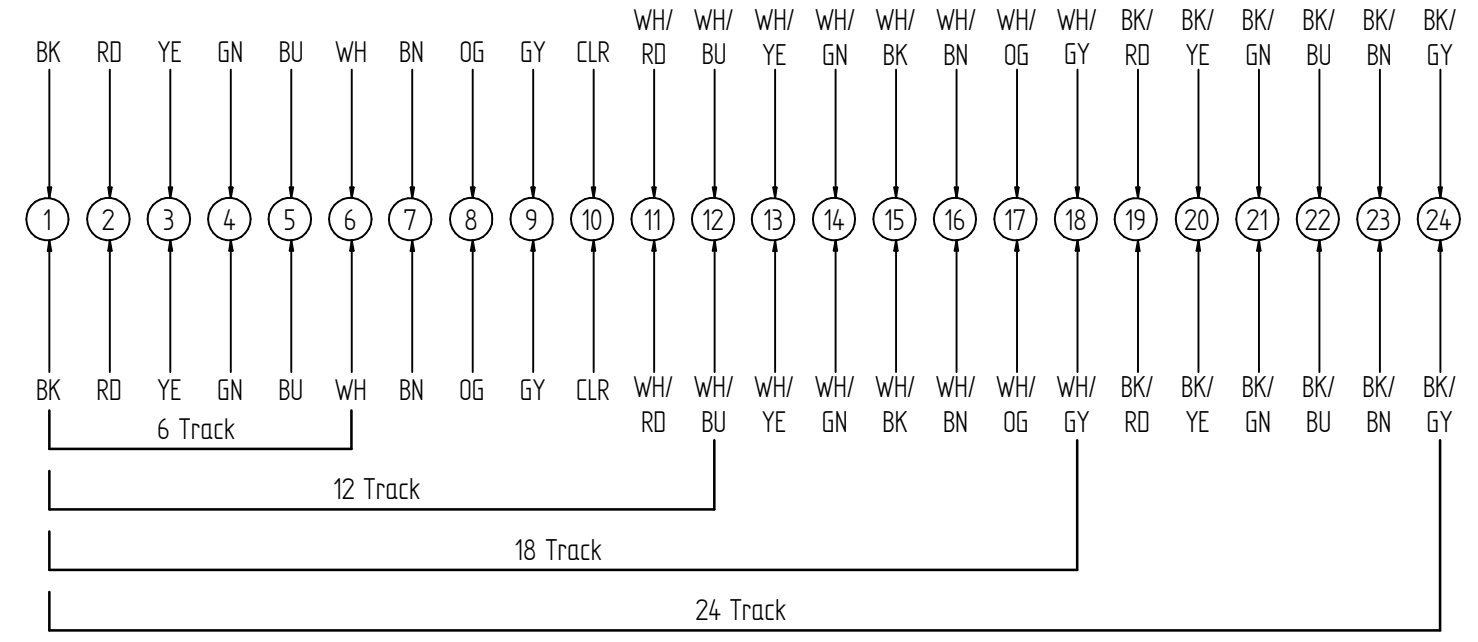
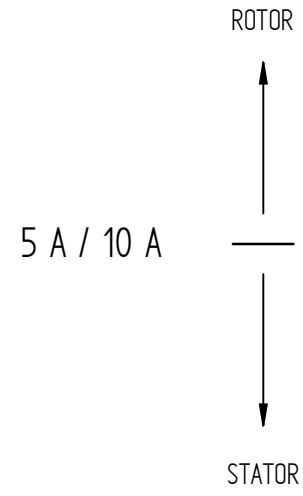
ELECTRONIC & ELECTRIC		MECHANICAL	
Rating Voltage	250 V AC / DC or 400 V AC	Working Speed	300 rpm max.
		Inner Diameter	$\phi 25,4$
		Contact Material	Precious Metals
Current	10 A	Lead Wire Length	STATOR: 250 mm ROTOR: 250 mm
Track	18	/	/
Insulation Resistance	500 M $\Omega$ @ 500 V DC	/	/
ENVIRONMENT		REMARKS	
Working Temperature	-20 °C to +60 °C	Application	see Manual
Working Humidity	$\leq 60$ % RH	Other	/
Protection Class	IP50	Note:	/

10	1	70C000035	Maverick Schleifring 18-Weg 10A		
Pos.	Anz.	Mat.Nr.	Kurztext	Größe/Abmessung	Werkstoff
1	2	3	4	5	6
DIN ISO 5456-2		TOLERANCES		DIN ISO 13715	
ISO 2768 - mH		$\begin{matrix} +0,3 \\   \\ +0,1 \end{matrix}$ $\begin{matrix} -0,1 \\   \\ -0,3 \end{matrix}$		FINISH	
				SCALE 1:1	
				WEIGHT 0,001 kg	
				REFERENCE 2	
				REFERENCE 1	
STANDARDS			DWG NO		REVISION
ISO 8015 ISO 14405			7KC000035		A1
			REVISION		FIRST RELEASE
					15.12.2021
			DESIGNER		CREITER
					18.11.2022
			APPROVED		AGREPPMAYR
					21.11.2022
			Beschreibung		CHANGE NO
			Maverick Schleifring 18-Weg 10A		200120151
			DESCRIPTION		DOCUMENT TYPE
			Maverick Slip Ring 18-Track 10A		Kundenzeichnung
			SIZE/DIM.		SHEET
					1/2



All drawings are the property of Schleifring GmbH/ Germany and are to be treated as confidential. The reproduction, distribution and utilization as well as the communication of its contents to others without express authorization is prohibited. Offenders will be held liable for the payment of damages. All rights reserved in the event of the grant of a patent, utility model or design.

Cable Table	
Current	Cable
5 A / Signal	AWG17
10 A	
15 A	AWG14



DIN ISO 5456-2 	TOLERANCES ISO 2768 - mH	DIN ISO 13715 	FINISH	SCALE 1:1	REFERENCE 2
STANDARDS ISO 8015 ISO 14405	DWG NO <b>7KLC000035</b>	REVISION <b>A1</b>	MATERIAL	WEIGHT 0,001 kg	REFERENCE 1
	Beschreibung Maverick Schleifring 18-Weg 10A DESCRIPTION Maverick Slip Ring 18-Track 10A SIZE/DIM.	CHANGE NO 200120151	DESIGNER CREITER	FIRST RELEASE 15.12.2021	APPROVED AGREPPMAYR
Draft: 1000954323/D02/000/03			Modell: 1000954323/D00/000/03		A3
				DOCUMENT TYPE Kundenzeichnung	SHEET 2/2