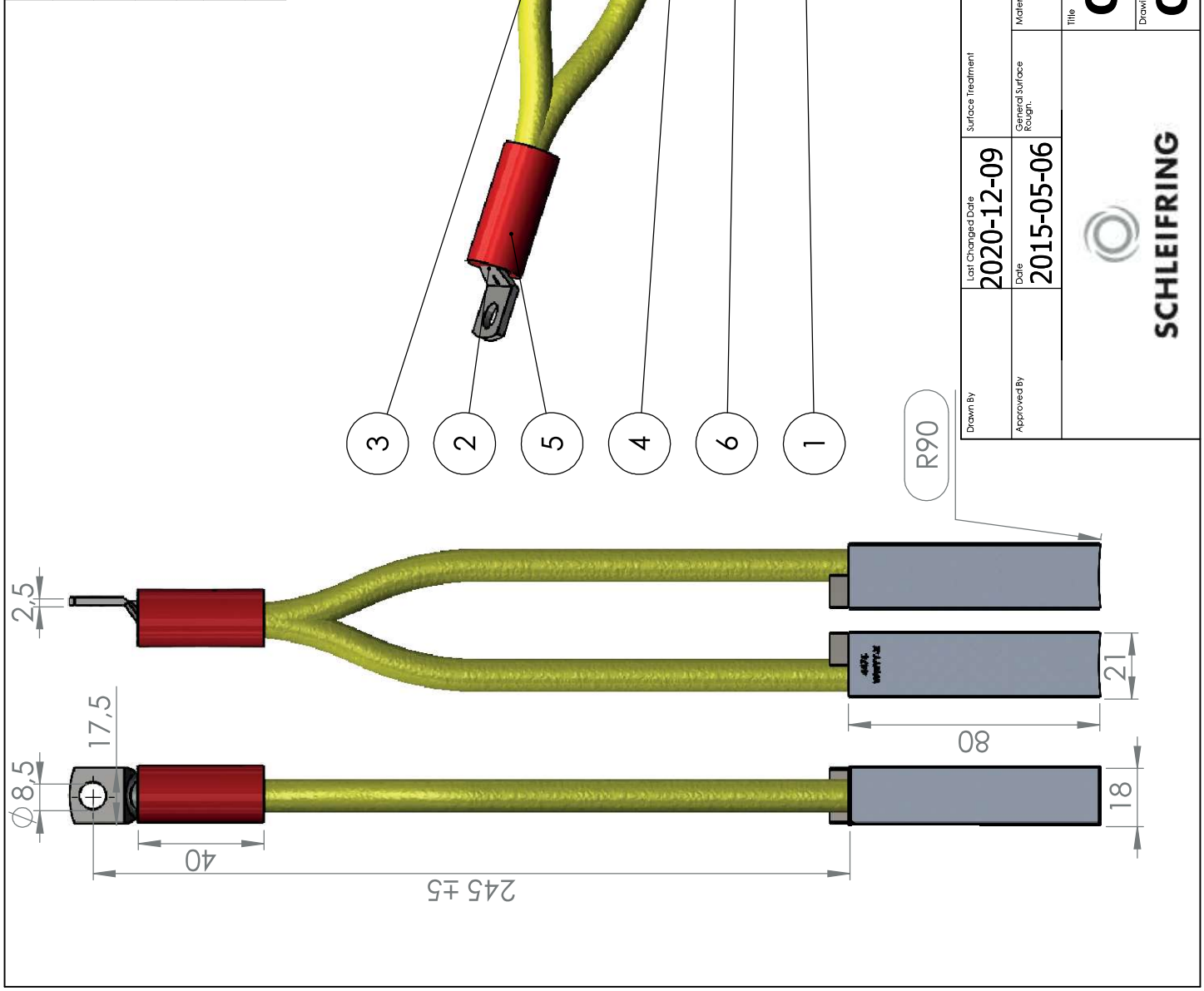
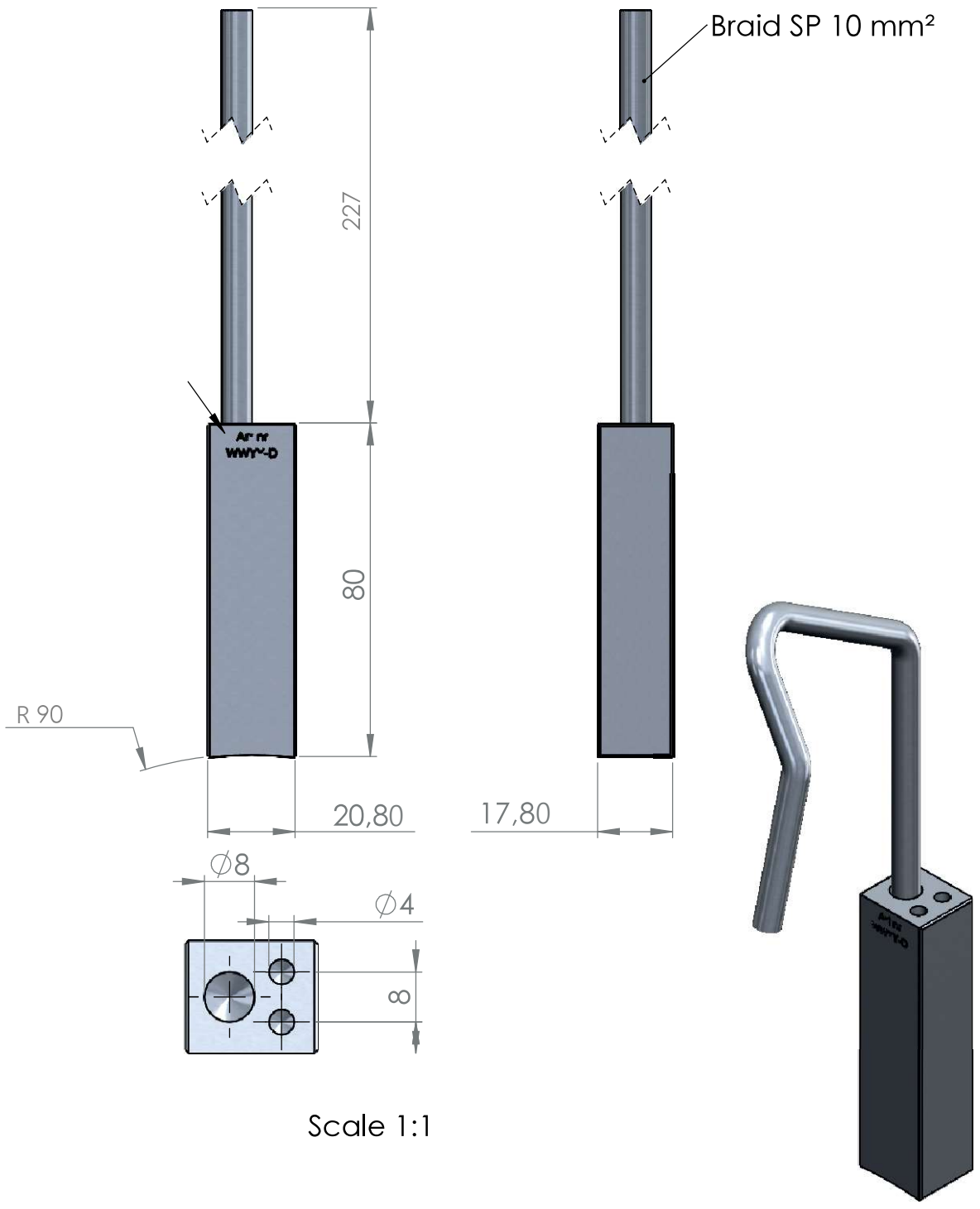


| ITEM NO. | Description | Art nr | C4476-CA35(QTY. |
|----------|--|--------------|-----------------|
| 1 | Brush 21 x 18 x 80 mm | C4476-112-03 | 2 |
| 2 | Terminal TU50-8 | CCF19 | 1 |
| 3 | BRAID SP 16 mm ² | CAC08 | 2 |
| 4 | Insulation 13F3 AC 8 x 205 mm (YELLOW) | CDB13 | 2 |
| 5 | Crimp TER 1003 2:1 16 x 40 mm | CDE19 | 1 |
| 6 | Spring sect | CCP38 | 2 |





| | | | |
|-------------|-------------------|--|--------------|
| Drawn By | Last Changed Date | Surface Treatment | CAD-System |
| Approved By | 2020-12-09 | General Tolerance | |
| | Date | General Surface Rough. | Drawing Size |
| | 2015-05-06 | | A4 |
| | | Title | |
| | | Complete brush set C4476-KOMP | |
| Drawing No | | Scale | Sheet |
| | | 1:2 | 1 (1) |

This document must not be copied without Carbox AB written permission, and the contents thereof must not be imported to a third party nor be used for any unauthorized purpose. Contravention will be prosecuted.



Scale 1:1

This document must not be copied without Carbex AB written permission, and the contents thereof must not be imparted to a third party nor be used for any unauthorized purpose. Contravention will be prosecuted.

| | | | | |
|---|--------------------|---------------------------------------|-------------------|--|
| Drawn By | Last Changed Date | Surface Treatment | General tolerance | CAD-System |
| Approved By | Date 2020-05-04 | General Surface Rough. | Material | Drawing Size A4 |
|  | | Title Brush 21 x 18 x 80 mm | | Scale 1:1.5 |
| | | Drawing No See table | |  Sheet 6 (6) |